

CONSTRUCTION JOINT

EJ3300 - TRANSVERSE CONSTRUCTION JOINT - NARROW

EJ3305 - TRANSVERSE CONSTRUCTION JOINT

EXPANSION JOINT

EJ3400 - TRANSVERSE EXPANSION

EJ3405 - TRANSVERSE EXPANSION AT EXISTING

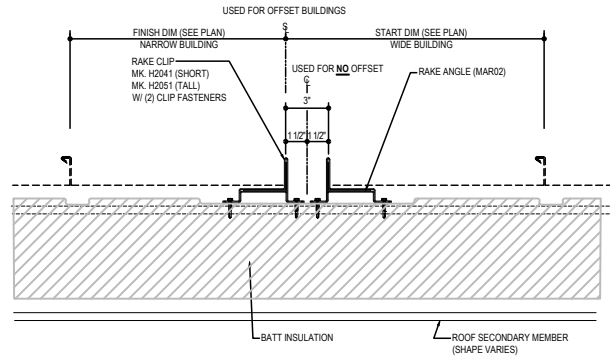
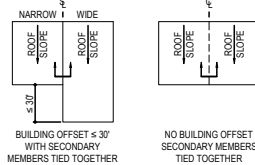
ROOF STEP

EJ3500-ROOF STEP (EXPANSION)

EJ3300 - TRANSVERSE CONSTRUCTION JOINT - NARROW

Download the DWG file by clicking [here](#).

- SLIDE THE RAKE ANGLE CLIPS ONTO THE MAR02 RAKE ANGLE PRIOR TO ATTACHING THE RAKE ANGLE CLIPS TO THE SECONDARY MEMBER. THEN FASTEN THE RAKE ANGLE CLIPS TO THE TOP LEG OF THE SECONDARY MEMBER. IT IS RECOMMENDED TO RUN A STRING LINE TO LOCATE AND PREDRILL ONE HOLE ALONG THE SECONDARY MEMBER FOR EASE OF ATTACHMENT AND ALIGNMENT.

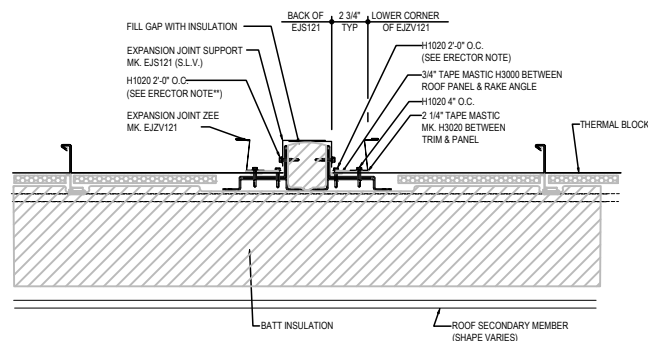


- AFTER THE RAKE ANGLE CLIPS AND RAKE ANGLE HAVE BEEN INSTALLED THE FINISH AND START PANELS CAN BE INSTALLED. PLACE TAPE MASTIC BETWEEN PANEL AND RAKE ANGLE AND FASTEN PANEL TO RAKE ANGLE. THIS PROVIDES A TEMPORARY SEAL FOR THE PANEL UNTIL THE TRIM IS INSTALLED. FASTENERS MUST BE A MINIMUM OF 2" AWAY FROM RAKE CLIP TO AVOID PINNING THE ROOF SYSTEM.

NEXT INSTALL THE EXPANSION JOINT SUPPORT TO THE VERTICAL LEG OF THE RAKE ANGLE. FASTENERS MUST BE A MINIMUM OF 2" AWAY FROM RAKE CLIP TO AVOID PINNING THE ROOF SYSTEM.

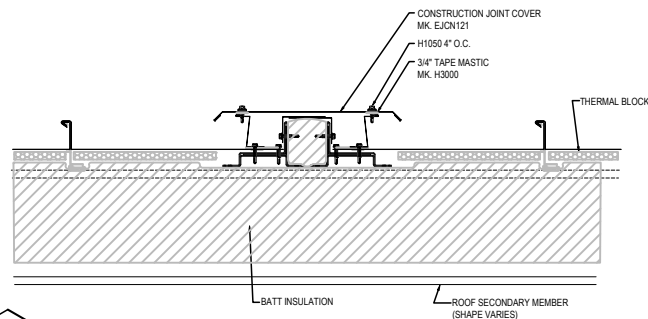
PLACE MASTIC BETWEEN THE EXPANSION JOINT ZEE AND THE PANEL AND FASTEN THROUGH THE ZEE AND PANEL INTO RAKE ANGLE. FASTENERS MUST BE A MINIMUM OF 2" AWAY FROM RAKE CLIP TO AVOID PINNING THE ROOF SYSTEM. THESE TRIMS SUPPORT THE EXPANSION TRIMS THAT ARE SHOWN IN THE NEXT STEP.

FILL THE CAVITY BETWEEN WITH LOOSE FILL INSULATION.



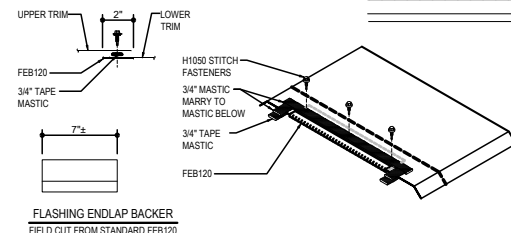
ERECTOR NOTE:
KEEP FASTENER MINIMUM 2" AWAY FROM RAKE ANGLE CLIP TO AVOID PINNING ROOF SYSTEM

- PLACE 3/4" TAPE MASTIC ON THE ZEE TRIM AS SHOWN. NEXT INSTALL THE EXPANSION JOINT COVER AND FASTEN TO THE ZEE. ENSURE FASTENER PENETRATES THROUGH THE MASTIC.



COVER LAP & FLASHING BACKER

SLIDE FIELD CUT SECTION OF FLASHING ENLAP BACKER ONTO THE LOWER TRIM PIECE AS SHOWN BELOW. PLACE TAPE MASTIC NEXT TO HEM OF THE BACKER (NOT ON TOP OF HEM). APPLY CONTINUOUS BEAD OF CAULK 1" FROM END OF TRIM DOWN PROFILE OF TRIM. FASTEN LAP WITH STITCH FASTENERS AND POP RIVETS AS SHOWN. ROOF STRUCTURAL FASTENERS SHOULD BE USED TO FASTEN THROUGH PANEL FLAT INTO RAKE ANGLE.



TRANSVERSE CONSTRUCTION JOINT
NON-STRUCTURAL TRANSVERSE CONSTRUCTION JOINT DETAIL

EJ3300

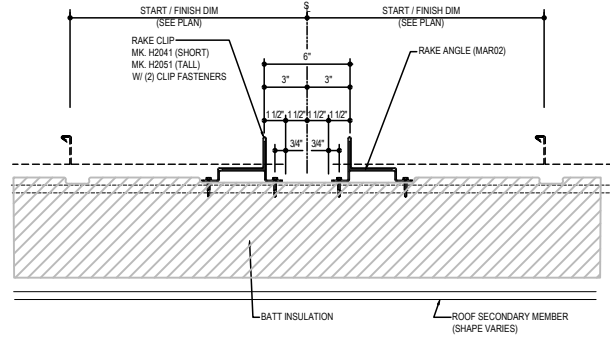
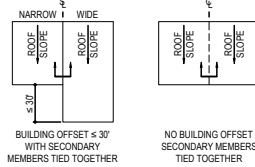
Detailer Notes:

- 1) THIS DETAIL IS USED TO ADJUST PANEL MODULARITY TO ACHIEVE PROPER START AND FINISH DIMENSIONS.
- 2) THIS DETAIL IS ONLY TO BE USED WHEN SECONDARY IS TIED TOGETHER. IF NOT AND BUILDINGS CAN MOVE INDEPENDENTLY OF EACH OTHER USE THE EXPANSION JOINT DETAIL.

EJ3305 - TRANSVERSE CONSTRUCTION JOINT

Download the DWG file by clicking [here](#).

1. SLIDE THE RAKE ANGLE CLIPS ONTO THE MAR02 RAKE ANGLE PRIOR TO ATTACHING THE RAKE ANGLE CLIPS TO THE SECONDARY MEMBER. THEN FASTEN THE RAKE ANGLE CLIPS TO THE TOP LEG OF THE SECONDARY MEMBER. IT IS RECOMMENDED TO RUN A STRING LINE TO LOCATE AND PREDRILL ONE HOLE ALONG THE SECONDARY MEMBER FOR EASE OF ATTACHMENT AND ALIGNMENT.

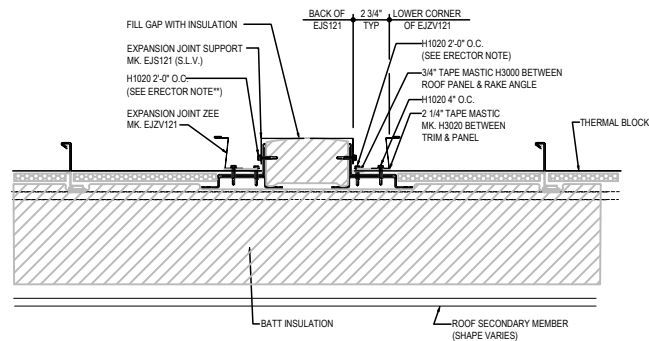


2. AFTER THE RAKE ANGLE CLIPS AND RAKE ANGLE HAVE BEEN INSTALLED THE FINISH AND START PANELS CAN BE INSTALLED. PLACE TAPE MASTIC BETWEEN PANEL AND RAKE ANGLE AND FASTEN PANEL TO RAKE ANGLE. THIS PROVIDES A TEMPORARY SEAL FOR THE PANEL UNTIL THE TRIM IS INSTALLED. FASTENERS MUST BE A MINIMUM OF 2" AWAY FROM RAKE CLIP TO AVOID PINNING THE ROOF SYSTEM.

NEXT INSTALL THE EXPANSION JOINT SUPPORT TO THE VERTICAL LEG OF THE RAKE ANGLE. FASTENERS MUST BE A MINIMUM OF 2" AWAY FROM RAKE CLIP TO AVOID PINNING THE ROOF SYSTEM.

PLACE MASTIC BETWEEN THE EXPANSION JOINT ZEE AND THE PANEL AND FASTEN THROUGH THE ZEE AND PANEL INTO RAKE ANGLE. FASTENERS MUST BE A MINIMUM OF 2" AWAY FROM RAKE CLIP TO AVOID PINNING THE ROOF SYSTEM. THESE TRIMS SUPPORT THE EXPANSION TRIMS THAT ARE SHOWN IN THE NEXT STEP.

FILL THE CAVITY BETWEEN WITH LOOSE FILL INSULATION.

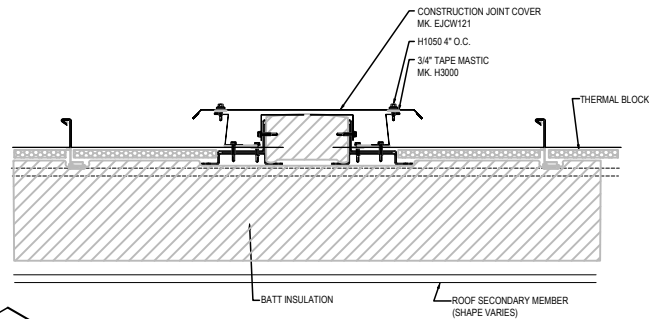
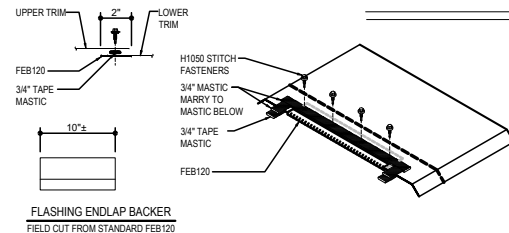


ERECTOR NOTE:
KEEP FASTENER MINIMUM 2" AWAY FROM RAKE ANGLE CLIP TO AVOID PINNING ROOF SYSTEM

3. PLACE 3/4" TAPE MASTIC ON THE ZEE TRIM AS SHOWN. NEXT INSTALL THE EXPANSION JOINT COVER AND FASTEN TO THE ZEE. ENSURE FASTENER PENETRATES THROUGH THE MASTIC.

COVER LAP & FLASHING BACKER

SLIDE FIELD CUT SECTION OF FLASHING ENLAP BACKER ONTO THE LOWER TRIM PIECE AS SHOWN BELOW. PLACE TAPE MASTIC NEXT TO HEM OF THE BACKER (NOT ON TOP OF HEM). APPLY CONTINUOUS BEAD OF CAULK 1" FROM END OF TRIM DOWN PROFILE OF TRIM. FASTEN LAP WITH STITCH FASTENERS AND POP RIVETS AS SHOWN. ROOF STRUCTURAL FASTENERS SHOULD BE USED TO FASTEN THROUGH PANEL FLAT INTO RAKE ANGLE.



TRANSVERSE CONSTRUCTION JOINT
NON-STRUCTURAL TRANSVERSE CONSTRUCTION JOINT DETAIL

EJ3305

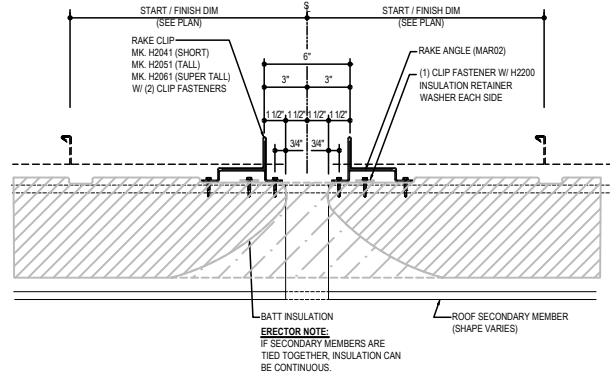
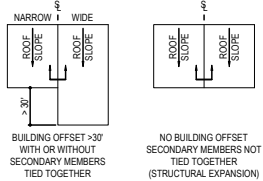
Detailer Notes:

- 1) THIS DETAIL IS USED TO ADJUST PANEL MODULARITY TO ACHIEVE PROPER START AND FINISH DIMENSIONS.
- 2) THIS DETAIL IS ONLY TO BE USED WHEN SECONDARY IS TIED TOGETHER. IF NOT AND BUILDINGS CAN MOVE INDEPENDENTLY OF EACH OTHER USE THE EXPANSION JOINT DETAIL.

EJ3400 - TRANSVERSE EXPANSION DETAIL

Download the DWG file by clicking [here](#).

1. SLIDE THE RAKE ANGLE CLIPS ONTO THE MAR02 RAKE ANGLE PRIOR TO ATTACHING THE RAKE ANGLE CLIPS TO THE SECONDARY MEMBER. THEN FASTEN THE RAKE ANGLE CLIPS TO THE TOP LEG OF THE SECONDARY MEMBER. IT IS RECOMMENDED TO RUN A STRING LINE TO LOCATE AND PREDRILL ONE HOLE ALONG THE SECONDARY MEMBER FOR EASE OF ATTACHMENT AND ALIGNMENT.

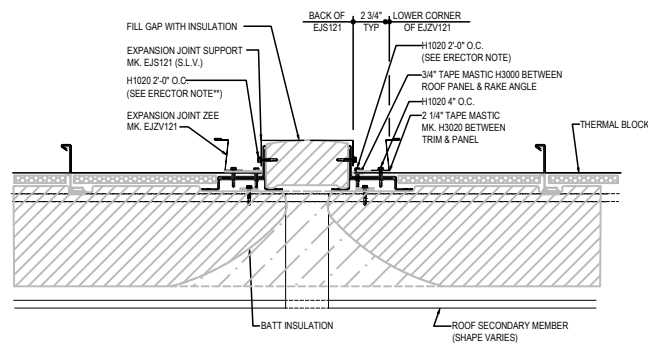


2. AFTER THE RAKE ANGLE CLIPS AND RAKE ANGLE HAVE BEEN INSTALLED THE FINISH AND START PANELS CAN BE INSTALLED. PLACE TAPE MASTIC BETWEEN PANEL AND RAKE ANGLE AND FASTEN PANEL TO RAKE ANGLE. THIS PROVIDES A TEMPORARY SEAL FOR THE PANEL UNTIL THE TRIM IS INSTALLED. FASTENERS MUST BE A MINIMUM OF 2" AWAY FROM RAKE CLIP TO AVOID PINNING THE ROOF SYSTEM.

NEXT INSTALL THE EXPANSION JOINT SUPPORT TO THE VERTICAL LEG OF THE RAKE ANGLE. FASTENERS MUST BE A MINIMUM OF 2" AWAY FROM RAKE CLIP TO AVOID PINNING THE ROOF SYSTEM.

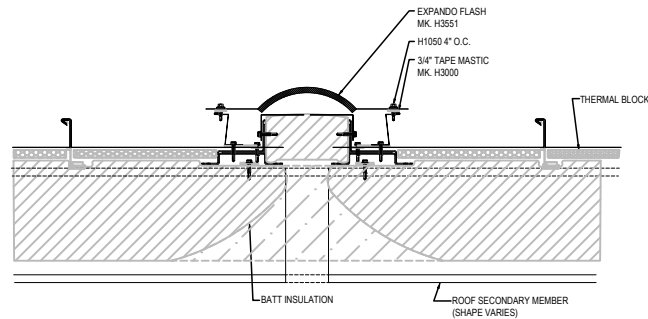
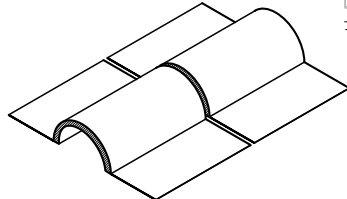
PLACE MASTIC BETWEEN THE EXPANSION JOINT ZEE AND THE PANEL AND FASTEN THROUGH THE ZEE AND PANEL INTO RAKE ANGLE. FASTENERS MUST BE A MINIMUM OF 2" AWAY FROM RAKE CLIP TO AVOID PINNING THE ROOF SYSTEM. THESE TRIMS SUPPORT THE EXPANSION TRIMS THAT ARE SHOWN IN THE NEXT STEP.

FILL THE CAVITY BETWEEN WITH LOOSE FILL INSULATION.



3. PLACE 3/4" TAPE MASTIC ON THE ZEE TRIM AS SHOWN. NEXT INSTALL THE EXPANDO FLASH AND FASTEN TO THE ZEE. ENSURE FASTENER PENETRATES THROUGH THE MASTIC.

EXPANDO FLASH SPLICE
THE EXPANDO FLASH COMES WITH A SPLICE KIT IN THE BOX WHEN OVER 50' RUN IS REQUIRED. THE KIT INCLUDES INSTRUCTIONS ON PROPERLY SPLICING THE METAL WINGS AND MEMBRANE.



TRANSVERSE EXPANSION DETAIL
STRUCTURAL TRANSVERSE EXPANSION JOINT DETAIL

EJ3400

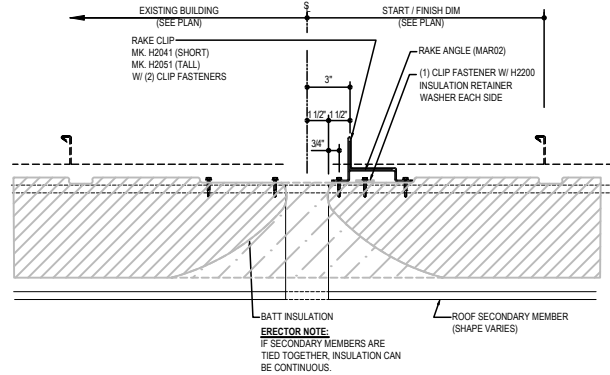
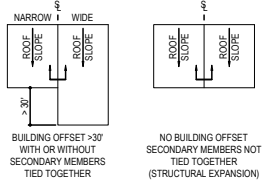
Detailer Notes:

- 1) THIS DETAIL IS USED WHEN SECONDARY MEMBERS ARE NOT TIED TOGETHER (STRUCTURAL EXPANSION) AND BUILDINGS CAN MOVE INDEPENDENTLY.
- 2) THIS DETAIL IS ALSO USED WHEN THE TWO LOW EAVES (FIXED ROOF PANEL POINT) HAVE MORE THAN A 30' OFFSET. THIS APPLIES EVEN WHEN SECONDARY MEMBERS ARE TIED TOGETHER AS THE ROOF CAN EXPAND / CONTRACT DIFFERENTLY UP SLOPE.

EJ3405 - TRANSVERSE EXPANSION DETAIL AT EXISTING

Download the DWG file by clicking [here](#).

- SLIDE THE RAKE ANGLE CLIPS ONTO THE MAR02 RAKE ANGLE PRIOR TO ATTACHING THE RAKE ANGLE CLIPS TO THE SECONDARY MEMBER. THEN FASTEN THE RAKE ANGLE CLIPS TO THE TOP LEG OF THE SECONDARY MEMBER. IT IS RECOMMENDED TO RUN A STRING LINE TO LOCATE AND PREDRILL ONE HOLE ALONG THE SECONDARY MEMBER FOR EASE OF ATTACHMENT AND ALIGNMENT.



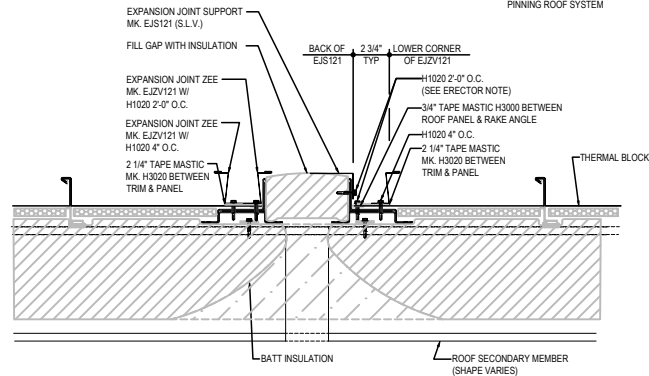
- AFTER THE RAKE ANGLE CLIPS AND RAKE ANGLE HAVE BEEN INSTALLED THE FINISH AND START PANELS CAN BE INSTALLED. PLACE TAPE MASTIC BETWEEN PANEL AND RAKE ANGLE AND FASTEN PANEL TO RAKE ANGLE. THIS PROVIDES A TEMPORARY SEAL FOR THE PANEL UNTIL THE TRIM IS INSTALLED. FASTENERS MUST BE A MINIMUM OF 2" AWAY FROM RAKE CLIP TO AVOID PINNING THE ROOF SYSTEM.

NEXT INSTALL THE EXPANSION JOINT SUPPORT TO THE VERTICAL LEG OF THE RAKE ANGLE. FASTENERS MUST BE A MINIMUM OF 2" AWAY FROM RAKE CLIP TO AVOID PINNING THE ROOF SYSTEM.

PLACE MASTIC BETWEEN THE EXPANSION JOINT ZEE AND THE PANEL AND FASTEN THROUGH THE ZEE AND PANEL INTO RAKE ANGLE. FASTENERS MUST BE A MINIMUM OF 2" AWAY FROM RAKE CLIP TO AVOID PINNING THE ROOF SYSTEM. THESE TRIMS SUPPORT THE EXPANSION TRIMS THAT ARE SHOWN IN THE NEXT STEP.

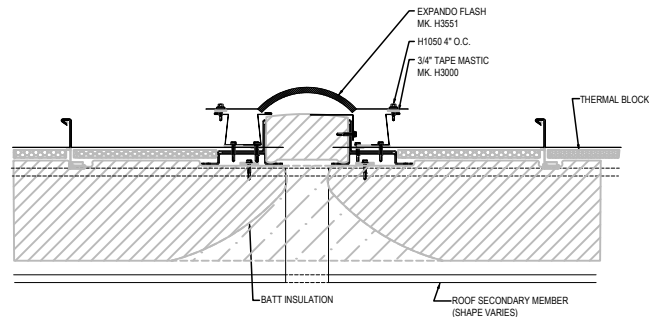
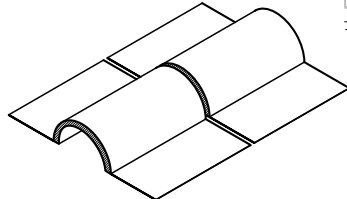
FILL THE CAVITY BETWEEN WITH LOOSE FILL INSULATION.

NOTE:
ZEE MEMBERS, FASTENERS AND MASTIC SUPPLIED FOR EXISTING BUILDING. ACTUAL FIELD CONDITIONS MAY VARY. METAL BUILDING SUPPLIER NOT RESPONSIBLE FOR WEATHERTIGHTNESS OR ATTACHMENT TO EXISTING BUILDING.



- PLACE 3/4" TAPE MASTIC ON THE ZEE TRIM AS SHOWN. NEXT INSTALL THE EXPANDO FLASH AND FASTEN TO THE ZEE. ENSURE FASTENER PENETRATES THROUGH THE MASTIC.

EXPANDO FLASH SPLICE
THE EXPANDO FLASH COMES WITH A SPLICE KIT IN THE BOX WHEN OVER 50' RUN IS REQUIRED. THE KIT INCLUDES INSTRUCTIONS ON PROPERLY SPLICING THE METAL WINGS AND MEMBRANE.



TRANSVERSE EXPANSION DETAIL
STRUCTURAL TRANSVERSE EXPANSION JOINT DETAIL

EJ3405

Detailer Notes:

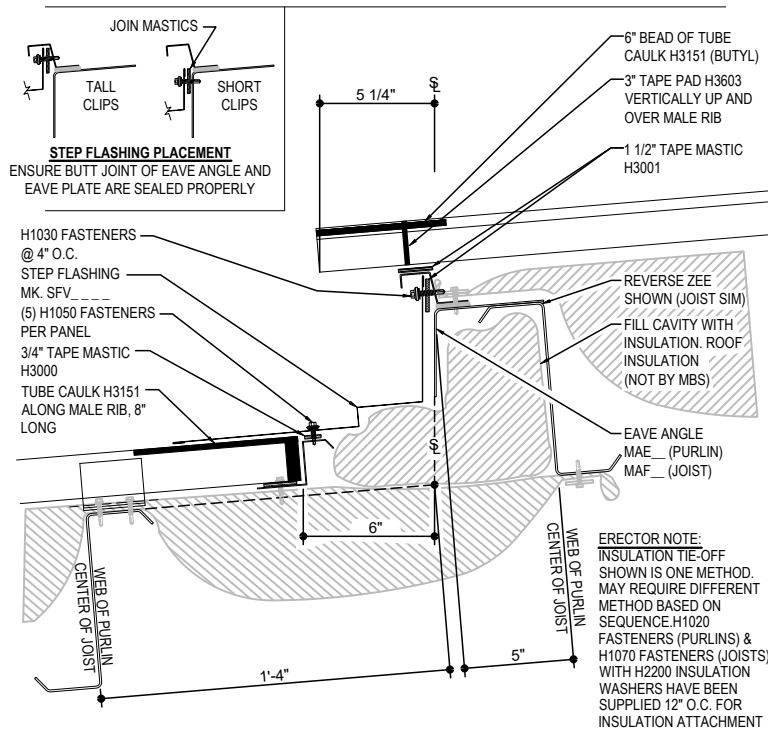
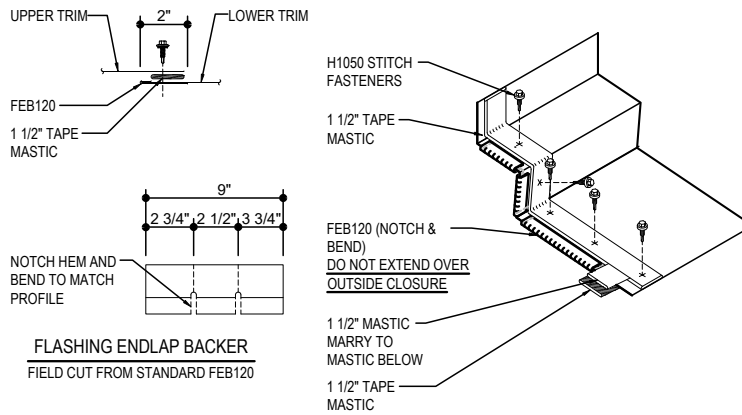
- THIS DETAIL IS USED WHEN SECONDARY MEMBERS ARE NOT TIED TOGETHER (STRUCTURAL EXPANSION) AND BUILDINGS CAN MOVE INDEPENDENTLY.
- THIS DETAIL IS ALSO USED WHEN THE TWO LOW EAVES (FIXED ROOF PANEL POINT) HAVE MORE THAN A 30' OFFSET. THIS APPLIES EVEN WHEN SECONDARY MEMBERS ARE TIED TOGETHER AS THE ROOF CAN EXPAND / CONTRACT DIFFERENTLY UP SLOPE.

EJ3500 - ROOF STEP (EXPANSION)

Download the DWG file by [clicking here](#).

STEP FLASHING LAP & FLASHING BACKER

SLIDE FIELD CUT SECTION FLASHING ENDLAP BACKER ONTO THE LOWER TRIM PIECE. PLACE TAPE MASTIC NEXT TO HEM OF THE BACKER (NOT ON TOP OF HEM). APPLY CONTINUOUS BEAD OF CAULK 1" FROM END OF TRIM DOWN PROFILE OF TRIM. FASTEN LAP WITH STITCH FASTENERS AND POP RIVETS AS SHOWN.



ROOF STEP (EXPANSION)

VERTICAL RIB ROOF STEP FLASHING. REFERENCE BASIC INSTALLATION DETAIL FOR LOW EAVE CLOSURE AND PANEL ATTACHMENT AS WELL AS HIGH EAVE OUTSIDE CLOSURE REQUIREMENTS.

EJ3500

Detailer Notes:

- 1) ROOF STEEL LINE TO ROOF STEEL LINE STEP IS 9" STANDARD WITH SAME PANEL CLIP OFFSET ON EACH ROOF. IF STEP IN ROOF STEEL LINES IS NOT 9" OR PANEL CLIPS ARE DIFFERENT, SPECIAL STEP FLASHING WILL BE REQUIRED.